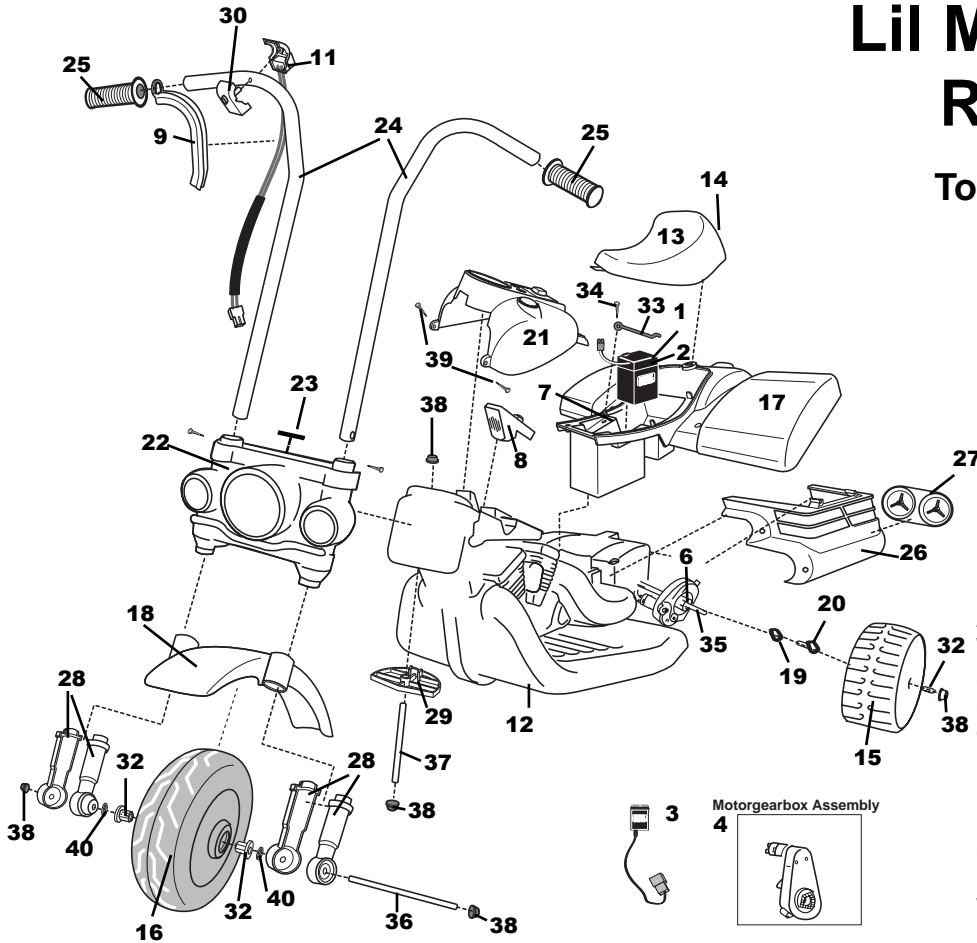




74230-9993 Harley Davidson Lil Motorcycle Ride On

Toddler Series
6 Volt



Age Range: 12-36 mo
 Weight Limit: 40 lbs /18 kgs
 Surfaces: Hard and Grass
 Speed: 2 mph
 Colors: Blue body, silver trim and Flame Decals
 Intro: Sept 2000
 Suggested Retail: \$99.99
 Box Dimensions: 27x27x14 inches
 Warranty: One Year Vehicle
 6 Months Battery

Rev. 07/29/04

Item No.	Description	Part No.	Qty.	Item No.	Description	Part No.	Qty.	Item No.	Description	Part No.	Qty.
Working / Electrical Parts											
1	Battery 4amp Blue	0801-0336	1	26	Saddle Bag set	4000-0191	1	Parts Not Shown			
2	Fuse 25amp	0801-0151	1	27	Exhaust Cap	74230-2239	1	Large Parts Bag	74230-9249	1	
3	Charger 4 Amp	00801-0976	1	28	Shock set	74230-9349	2	Small Parts Bag (w/large pts bag)	74230-9249	1	
4	Motor Gearbox Assembly	75320-9519	1	29	Steering Stop	74230-2359	1	Hardware Bag	74230-9269	1	
6	Motor Pinion Assembly	76940-9539	1	30	Switch Cover Rear	74230-2339	1	Owner's Manual	74230-0920	1	
7	Main Harness Assembly	73560-9799	1	32	Round Wheel Bushing w/ ext	00801-0981	2	Decal Sheet Main With Flames	74230-0320	1	
8	Sound Box	74290-9559	1	Hardware / Metal Parts							
9	Wire Cover	74230-2349	1	33	Battery Retainer	74230-4129	1	Decal Sheet Small With Headlights	74230-0310	1	
11	Switch Assm	74230-9329	1	34	Truss Screw	0801-0228	1				
Plastic / Other Parts											
12	Body	N/A	1	35	Rear axle	74230-4519	1				
13	Seat with lock	74230-9309	1	36	Front axle	74230-4509	1				
14	Lock Fastener	78570-2439	1	37	Fork Axle	74230-4569	1				
15	Wheel, rear	74230-2159	2	38	.354 Retainer (black)	0801-0604	7				
16	Wheel, front	74230-2169	1	39	#8 x 0.75 Screw	0912-8001	31				
17	Rear Fender	74230-2129	1	40	5/16 washer	0801-0253	2				
18	Front Fender	74230-2139	1								
19	Bushing, Rect., no ext.	76920-2549	2								
20	Bushing, Rect. w/ext.	76920-2659	2								
21	Gas tank	74230-2179	1								
22	Headlight	74230-9189	1								
23	PW Emblem	74460-9069	1								
24	Handle Bar Assm	74230-9029	1								
25	Handgrip	74290-2399	2								

N/A = Not Available

Bold and Underlined parts are to be purchased and installed by Service Centers only. These items may not be sold directly to consumers by Service Centers or Fisher-Price.